

Model Code

OFT 20 N 370 F 010 BF

Offline filtration trolley

OFT

Type code

20

Seals

N = NBR

Motor output and flow

370 = 0.37 Kw

Connection voltage

F = 1 x 240V, 50 Hz

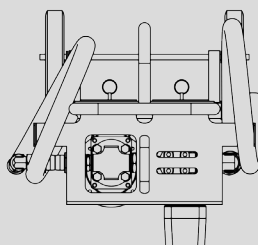
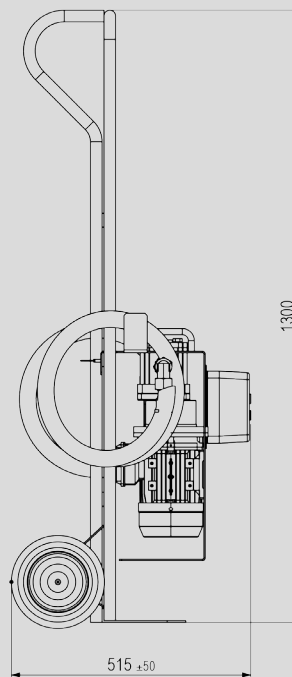
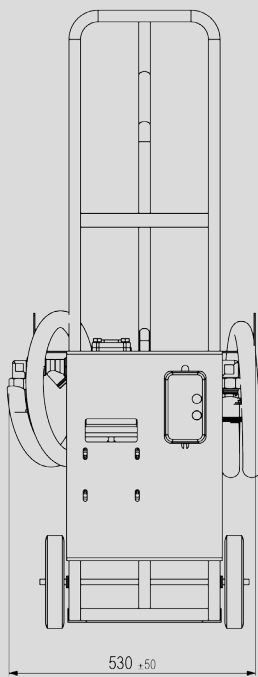
Filter element

3, 5, 10 and 20 μ

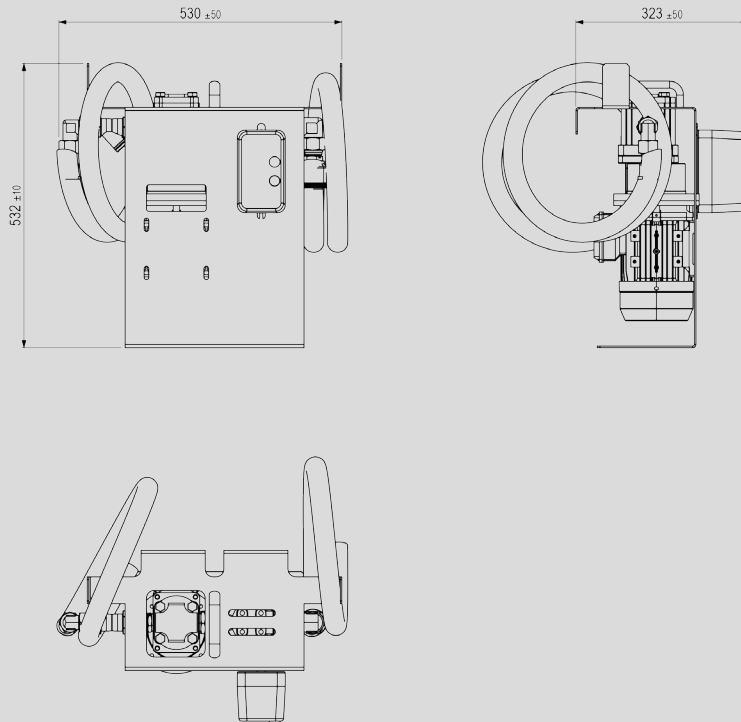
Clogging indicator

BF = Visual differential indicator

Dimensions



Dimensions



Ecomicon elements

Filtration rating	Element type
3 µm	0200 MX 003 ECON2 /-B3.5
5 µm	0200 MX 005 ECON2 /-B3.5
10 µm	0200 MX 010 ECON2 /-B3.5
20 µm	0200 MX 020 ECON2 /-B3.5

Note

The information in this brochure relates to the operating conditions and applications described.
For applications and operating conditions not described, please contact the relevant technical department.
Subject to technical modifications.

HYDAC Australia / New Zealand

109-111 Dohertys Road
Altona North, VIC. 3025
Phone: 1300 449 322
info@hydac.com.au
www.hydac.com.au