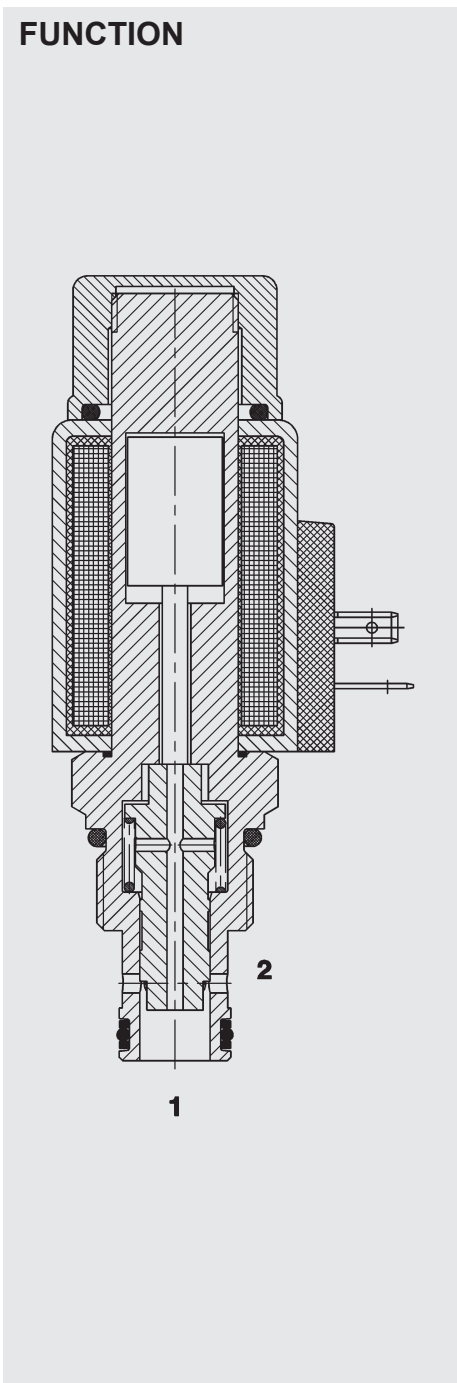


FUNCTION



2/2 Solenoid Directional Valve **UNF** Spool Type, Direct-Acting, SAE-10 Cartridge – 350 bar WK10V-01

FEATURES

- Exposed surfaces zinc-nickel plated for increased corrosion protection (1.000 h salt spray test)
- Hardened and ground internal valve components to ensure minimal wear and extended service life
- Coil seals protect the solenoid system
- Wide variety of connectors available
- Excellent switching performance by high power HYDAC solenoid
- Low pressure drop due to CFD optimized flow path

SPECIFICATIONS*

| | |
|------------------------------------|--|
| Operating pressure: | max. 350 bar |
| Nominal flow: | max. 35 l/min |
| Internal leakage: | max. 190 cm ³ /min at 250 bar and 34 mm ² /s |
| Media operating temperature range: | min. -20 °C to max. +100 °C |
| Ambient temperature range: | min. -20 °C to max. +60 °C |
| Operating fluid: | Hydraulic oil to DIN 51524 Part 1, 2 and 3 |
| Viscosity range: | min. 7.4 mm ² /s to max. 420 mm ² /s |
| Filtration: | Class 21/19/16 according to ISO 4406 or cleaner |
| MTTF _d : | 150 years |
| Materials: | Valve body: free-cutting steel Spool: hardened and ground steel Seals: NBR (standard) FKM (optional, media temperature range -20 °C to +120 °C) Back-up rings: PTFE Coil: steel / polyamide |
| Cavity: | FC10-2 |
| Weight: | Valve complete 0.45 kg Coil only 0.23 kg |

Electrical data:

| | |
|------------------------|---|
| Type of voltage: | DC solenoid, AC voltage is rectified using a bridge rectifier built into the coil |
| Current draw at 20 °C: | 2.22 A at 12 V DC 1.13 A at 24 V DC |
| Voltage tolerance: | ± 15% of the nominal voltage |
| Coil duty rating: | Continuous up to max. 115% of the nominal voltage at 60 °C ambient temperature |
| Coil type: | Coil ...50-1836 |

* see "Conditions and instructions for valves" in brochure 53.000

When the solenoid coil is de-energized, the valve is open in both directions.
When the solenoid coil is energized, the valve is closed in both directions.

