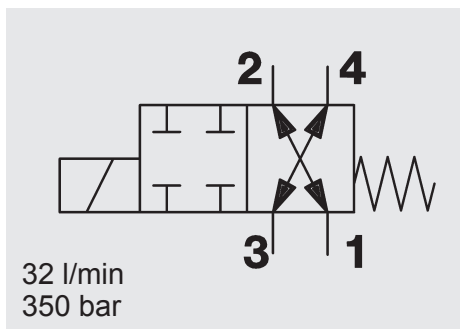
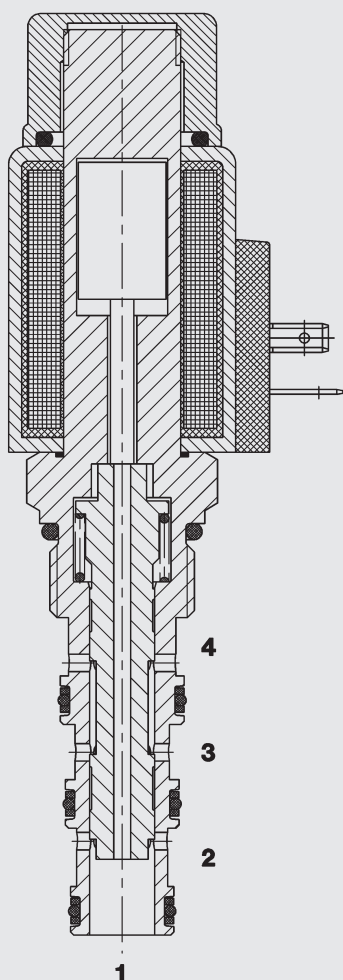


4/2 Solenoid Directional Valve **UNF** **Spool Type, Direct Acting** **SAE-10 Cartridge – 350 bar** **WK10A-01**



FUNCTION



When de-energized, the valve allows flow in both directions between ports 3 and 4 and also in both directions between ports 1 and 2.

When the solenoid coil is energized, the valve is closed in both directions.

FEATURES

- External surfaces zinc-plated and corrosion-proof
- Hardened and ground internal valve components to ensure minimal wear and extended service life
- Coil seals protect the solenoid system
- Wide variety of connectors available
- Excellent switching performance by high power HYDAC solenoid
- Low pressure drop due to CFD optimized flow path

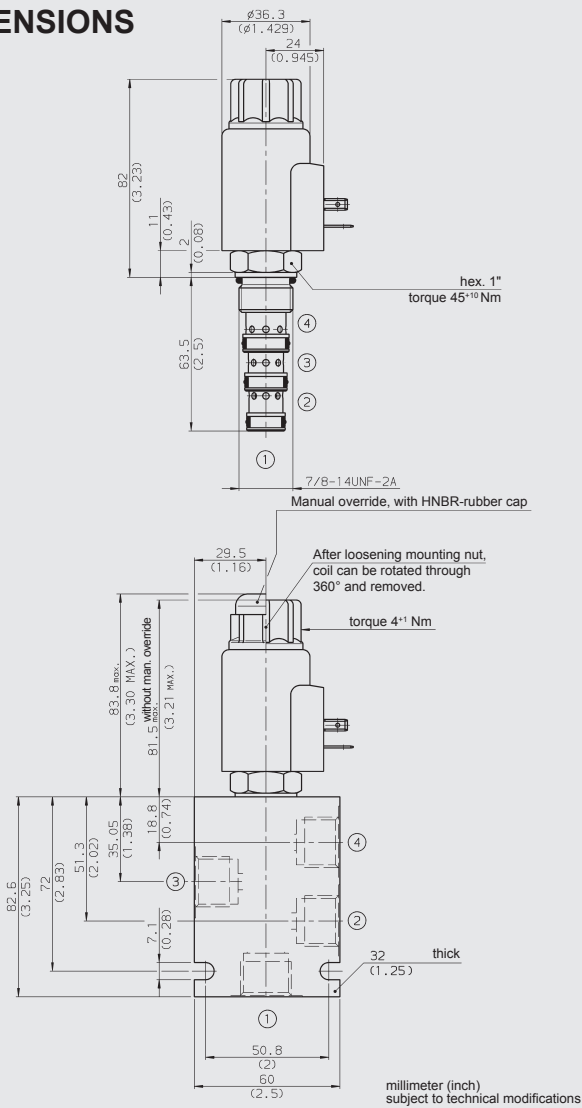
SPECIFICATIONS

Operating pressure:	max. 350 bar	
Nominal flow:	max. 32 l/min	
Internal leakage:	max. 160 cm ³ /min at 250 bar and 34 mm ² /s	
Media operating temperature range:	min. -20 °C to max. +100 °C	
Ambient temperature range:	min. -20 °C to max. +60 °C	
Operating fluid:	Hydraulic oil to DIN 51524 Part 1 and 2	
Viscosity range:	min. 7.4 mm ² /s to max. 420 mm ² /s	
Filtration:	Class 21/19/16 according to ISO 4406 or cleaner	
MTTF _d :	150 years (see "Conditions and instructions for valves" in brochure 5.300)	
Installation:	No orientation restrictions	
Materials:	Valve body:	free-cutting steel
	Spool:	hardened and ground steel
	Seals:	NBR (standard) FKM (optional, media temperature range -20 °C to +120 °C)
	Back-up rings:	PTFE
	Coil:	steel / polyamide
Cavity:	FC10-3	
Weight:	Valve complete	0.48 kg
	Coil only	0.23 kg

Electrical data:

Type of voltage:	DC solenoid, AC voltage is rectified using a bridge rectifier built into the coil	
Current draw at 20 °C:	2.22 A at 12 V DC 1.13 A at 24 V DC	
Voltage tolerance:	± 15% of the nominal voltage	
Coil duty rating:	Continuous up to max. 115% of the nominal voltage at 60 °C ambient temperature	
Coil type:	Coil...-50-1836	

DIMENSIONS



MODEL CODE

WK10A - 01 M - C - N - 24 DG

Basic model _____
Directional spool valve, UNF

Type _____
01 = standard

Manual override _____
no details = without manual override
M = manual override

Body and ports* _____
C = cartridge only
SB4 = G1/2 ports, steel body
AB4 = G1/2 ports, aluminium body

Seals _____
N = NBR (standard)
V = FKM

Coil voltage _____
DC voltages

12 = 12 V DC
24 = 24 V DC

AC voltages (bridge rectifier built into the coil)

115 = 115 V AC
230 = 230 V AC

Other voltages on request

Coil connectors (type 50-1836) _____

DC: DG = DIN connector to EN 175301-803
DK = KOSTAL threaded connection M27x1
DL = 2 flying leads, 457 mm long, 0.75 mm²
DN = Deutsch connector, 2-pole, axial
DT = AMP Junior Timer, 2-pole, radial

AC: AG = DIN connector to EN 175301-803
Other connectors on request

Standard models

Model code	Part No.
WK10A-01-C-N-24DG	3098530
WK10A-01-C-N-230AG	3098531

Other models on request

*Standard in-line bodies

Code	Part No.	Material	Ports	Pressure
FH104-SB4	3037784	Steel, zinc-plated	G1/2	350 bar
FH104-AB4	3038097	Aluminium, anodized	G1/2	210 bar

Other bodies on request

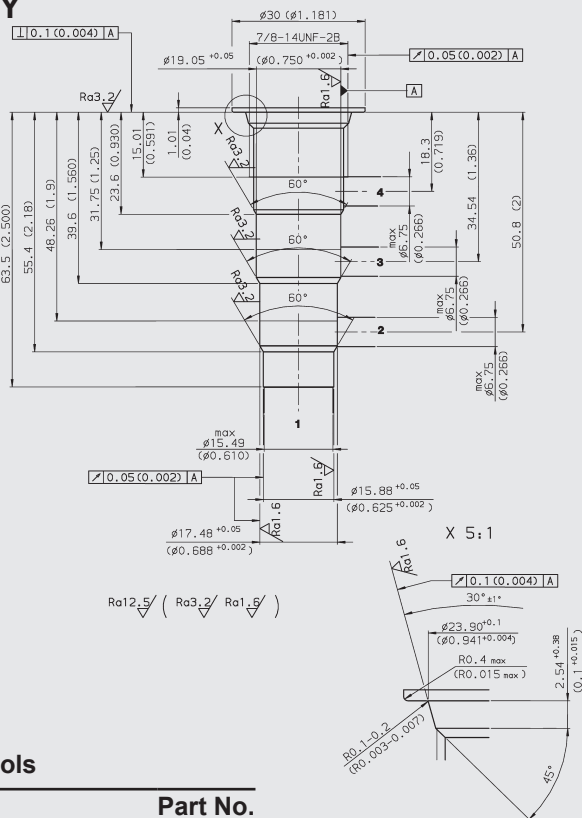
Seal kits

Code	Material	Part No.
FS104-N SEAL KIT	NBR	3051912
FS104-V SEAL KIT	FKM	3071275

Other models on request

CAVITY

FC10-4



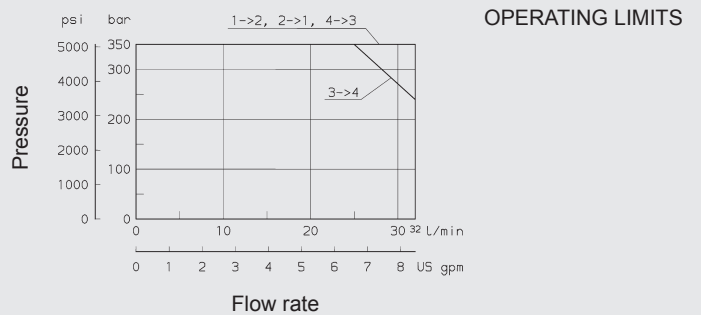
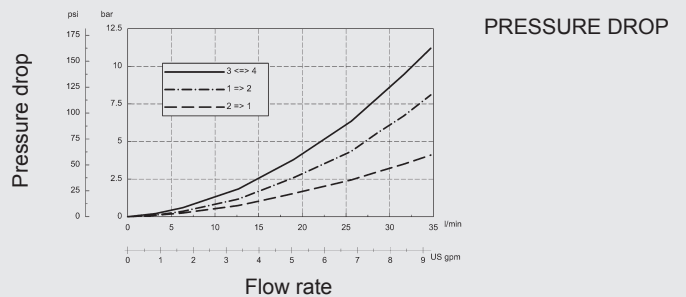
Form tools

Tool	Part No.
Countersink FC10-4	176174
Reamer FC10-4	176175

millimeter (inch) subject to technical modifications

PERFORMANCE

Measured at $v = 34 \text{ mm}^2/\text{s}$ $T_{\text{Oil}} = 46^\circ \text{C}$



NOTE

The information in this brochure relates to the operating conditions and applications described. For applications or operating conditions not described, please contact the relevant technical department.
Subject to technical modifications.

HYDAC Fluidtechnik GmbH

Justus-von-Liebig-Str.
D-66280 Sulzbach/Saar
Tel: 0 68 97 /509-01
Fax: 0 68 97 /509-598
E-Mail: flutec@hydac.com