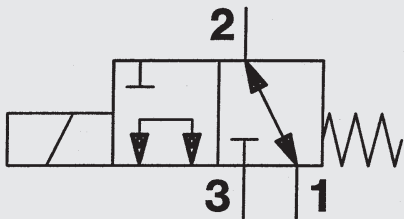
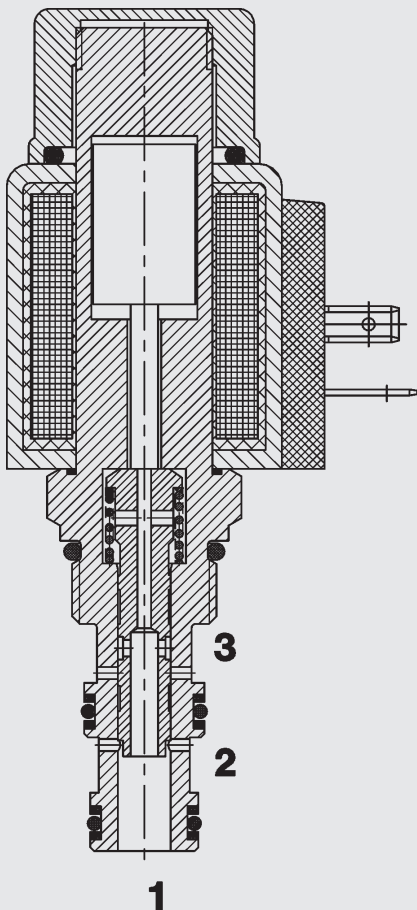


3/2 Solenoid Directional Valve **UNF** Spool Type - Direct-Acting SAE-08 Cartridge – 350 bar WK08L-01



17 l/min
 350 bar

FUNCTION



When de-energized, the valve allows flow from port 1 to 2 or from port 2 to 1, while blocking flow at port 3. When energized, the valve allows flow from port 3 to 1 or from port 1 to 3, while blocking flow at port 2.

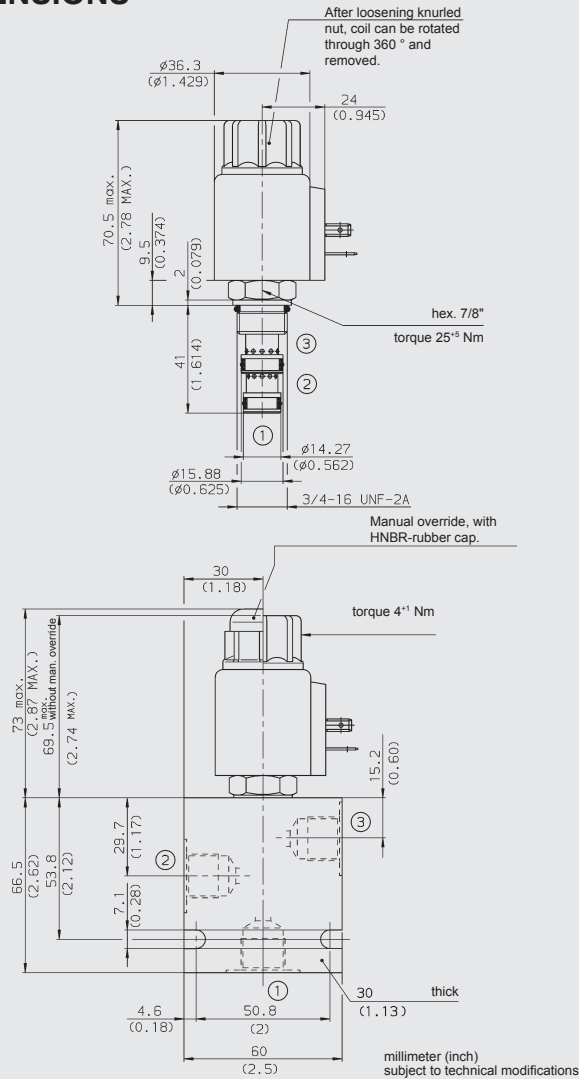
GENERAL

- External surfaces zinc-plated and corrosion-proof
- Hardened and ground internal valve components to ensure minimal wear and extended service life
- Coil seals protect the solenoid system
- Wide variety of connectors available
- Excellent switching performance by high power HYDAC solenoid
- Low pressure drop due to CFD optimized flow path

SPECIFICATIONS

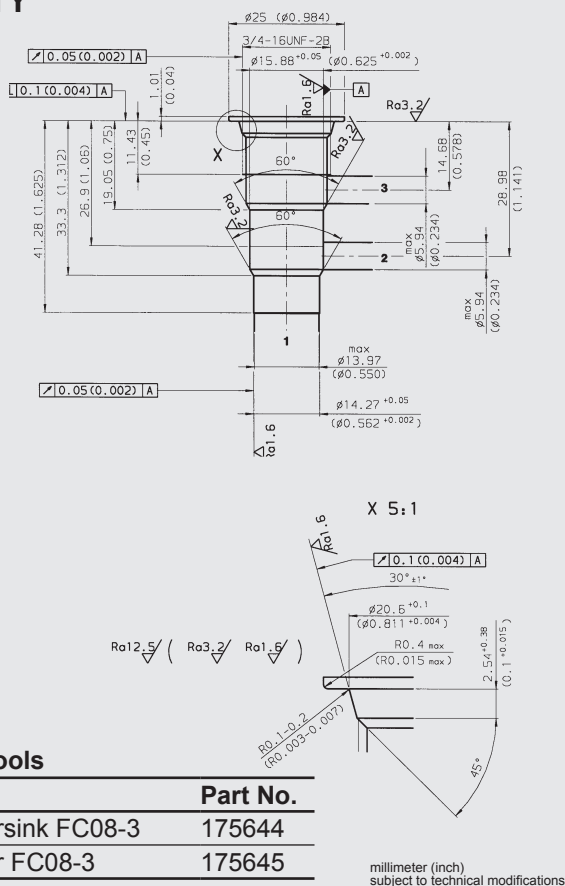
Operating pressure:	max. 350 bar	
Nominal flow:	max. 17 l/min Consult HYDAC for flow ratings above 207 bar	
Internal leakage:	90 cm ³ /min at 250 bar	
Media operating temperature range:	min. -20 °C to max. +100 °C	
Ambient temperature range:	min. -20 °C to max. +60 °C	
Operating fluid:	Hydraulic oil to DIN 51524 Part 1 and 2	
Viscosity range:	min. 7.4 mm ² /s to max. 420 mm ² /s	
Filtration:	Class 21/19/16 according to ISO 4406 or cleaner	
MTTF _d :	150 years (see "Conditions and instructions for valves" in brochure 5.300)	
Materials:	Valve body:	free-cutting steel
	Piston:	hardened and ground steel
	Seals:	NBR (standard) FKM (optional, media temperature range -20 °C to +120 °C)
	Back-up rings:	PTFE
Cavity:	FC08-3	
Weight:	Valve complete	0.37 kg
	Coil only	0.19 kg
Electrical data:		
Type of voltage:	DC solenoid, AC voltage is rectified using a bridge rectifier built into the coil	
Current draw at 20 °C:	1.5 A at 12 V DC	
	0.8 A at 24 V DC	
Voltage tolerance:	± 15% of the nominal voltage	
Coil duty rating:	Continuous up to max. 115% of the nominal voltage at 60 °C ambient temperature	
Coil type:	Coil...-40-1836	

DIMENSIONS



CAVITY

FC08-3



Form tools

Code	Part No.
Countersink FC08-3	175644
Reamer FC08-3	175645

MODEL CODE

WK08L - 01 M - C - N - 24 DG

Basic model

Directional spool valve, UNF

Type

01 = standard

Manual override

no details = without manual override

M = manual override

Body and ports*

C = cartridge only

SB3 = G3/8 ports, steel body

AB3 = G3/8 ports, aluminium body

Seals

N = NBR (standard)

V = FKM

Coil voltage

DC voltages

12 = 12 V DC

24 = 24 V DC

AC voltages (bridge rectifier built into the coil)

115 = 115 V AC

230 = 230 V AC

Other voltages on request

Coil connectors (type 40-1836)

DC: DG = DIN connector to EN 175301-803

DK = KOSTAL threaded connection M27x1

DL = 2 flying leads, 457 mm long, 0.75 mm²

DN = Deutsch connector, 2-pole, axial

DT = AMP Junior Timer, 2-pole, radial

AC: AG = DIN connector to EN 175301-803

Other connectors on request

Standard models

Model code	Part No.
WK08L-01-C-N-24DG	3021475
WK08L-01-C-N-230AG	3043947

Other models on request

* Standard in-line bodies

Code	Part No.	Material	Ports	Pressure
FH083-SB3	560922	Steel, zinc-plated	G3/8	420 bar
FH083-AB3	3011427	Aluminium, clear anodized	G3/8	210 bar

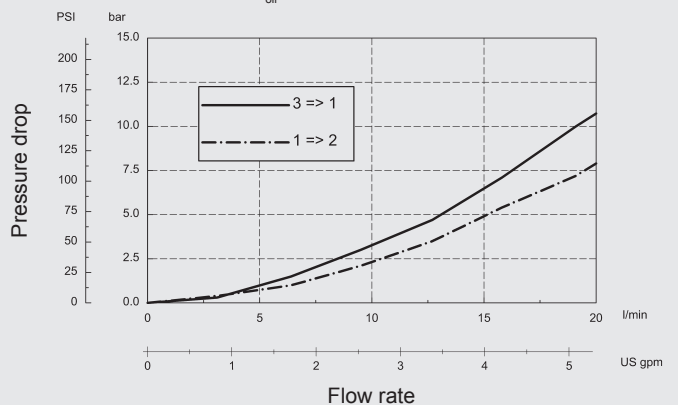
Other models on request

Seal kits

Code	Material	Part No.
FS083-N SEAL KIT	NBR	3054795
FS083-V SEAL KIT	FKM	2591059

PERFORMANCE

Measured at $v = 34 \text{ mm}^2/\text{s}$, $T_{\text{oil}} = 46^\circ \text{C}$



NOTE

The information in this brochure relates to the operating conditions and applications described. For applications or operating conditions not described, please contact the relevant technical department. Subject to technical modifications.

HYDAC Fluidtechnik GmbH

Justus-von-Liebig-Str.
D-66280 Sulzbach/Saar
 Tel: 0 68 97 /509-01
 Fax: 0 68 97 /509-598
 E-Mail: flutec@hydac.com