

## Accessories for Industrial valves



### CONTENT

4WE – Directional spool valves, solenoid-operated	2
WSE – Directional poppet valves, solenoid-operated	3
4WH – Directional spool valves, hydraulically pilot operated	3
ZW – Valves in sandwich plate design	3
VP – Plate mounted valves	4
P4WE – Proportional directional valves	4
L-CEE – 2-way cartridge valves	5
LD-CCE – Covers for 2-way cartridge valves	6
Model code plate types	6
Subplate	7
Cover plates	8
Crossover plates	9

## 4WE – Directional spool valves, solenoid-operated

	Nominal size	Designation	Part no.	
Seal kits (4-part set)	6	9,25 x 1,78 -80Sh -NBR	3492432	
		9,25 x 1,78 -80Sh -FKM	3120269	
	10	12,42 x 1,78 -80Sh -NBR	4348706	
		12,42 x 1,78 -80Sh -FKM	4348705	
Mounting screws (4 pcs)	6	M5 x 50 DIN EN ISO 4762 -10.9	4312231	
	10	M6 x 40 DIN EN ISO 4762 -10.9	3524314	
Solenoid coils	6	COIL 12DG -50-2345 -S	4244169	
		COIL 24DG -50-2345 -S	4244171	
		COIL 96DG -50-2345 -S	4244173	
		COIL 110DG -50-2345 -S	4330790	
		COIL 205DG -50-2345 -S	4244275	
		COIL 12DN -50-2345 -S	4244170	
		COIL 24DN -50-2345 -S	4244172	
		COIL 12DO -50-2345 -S	4250874	
		COIL 24DO -50-2345 -S	4250885	
		COIL 12DU -50-2345 -S	4250893	
		COIL 24DU -50-2345 -S	4250892	
		COIL 110AG -50-2345 -S	4244174	
		COIL 120AG -50-2345 -S	4348779	
		COIL 230AG -50-2345 -S	4244276	
	8 watts	COIL 24DG -50-2345;8W –S	4277864	
		COIL 24DO -50-2345;8W –S	4250889	
		COIL 24DN -50-2345;8W –S	4290983	
	10	COIL 12DG -75-3164 38W	4251228	
		COIL 24DG -75-3164 38W	4251230	
		COIL 96DG -75-3164 38W	4251232	
		COIL 110DG -75-3164 38W	4251233	
		COIL 125DG -75-3164 38W	4251234	
		COIL 205DG -75-3164 38W	4251255	
		COIL 220DG -75-3164 38W	4251257	
		COIL 12DN -75-3164 38W	4360072	
		COIL 24DN -75-3164 38W	4360073	
		COIL 24DO -75-3164 38W	4251262	
	Seal kit solenoid coils	6	Nut open, O-ring	4317299
			Nut with folding cap, O-ring	4317301
			Nut with cap, O-ring	4317302
		10	Nut open, O-ring	4348711
			Nut with folding cap, O-ring	4348713
Connector	6	Z4 standard, 2-pole without PE	394287	
	10	ZW4 incl. rectifier	394293	
		Z4L LED, 2-pole	394285	
Orifice	6	Orifice 0,8 mm - NBR	4532049	
		Orifice 0,8 mm - FKM	4532048	
		Orifice 1,0 mm - NBR	4532051	
		Orifice 1,0 mm - FKM	4532050	
		Orifice 1,2 mm - NBR	4532053	
		Orifice 1,2 mm - FKM	4532052	
		Orifice 1,5 mm - NBR	4532125	
		Orifice 1,5 mm - FKM	4532054	
		Orifice 1,8 mm – NBR	4532127	
		Orifice 1,8 mm - FKM	4532126	
		Orifice 2,0 mm - NBR	4532129	
		Orifice 2,0 mm - FKM	4532128	
Manual overrides	6	M4 with knurled-head screw	4429328	
		M5 with mushroom manual override (lockable)	4373722	
		M6 with mushroom manual override (not lockable)	4373490	

### Hint

The chart lists accessory parts of the **A01** series.

Accessory parts for the **S01** series, please contact your technical contact person at HYDAC.

## 4WH – Directional spool valves, hydraulically operated

	Nominal size	Designation	Part no.
Seal kits	10 (7-part set)	12,42 x 1,78 -90 Sh -NBR (5 pcs)	3524475
		9,25 x 1,78 -90 Sh -NBR (2 pcs)	
		12,42 x 1,78 -90 Sh -FKM (5 pcs)	3524523
		9,25 x 1,78 -90 Sh -FKM (2 pcs)	
	16 (6-part set)	22,22 x 2,62 -90 Sh -NBR (4 pcs)	3524553
		10,82 x 1,78 -90 Sh -NBR (2 pcs)	
		22,22 x 2,62 -90 Sh -FKM (4 pcs)	3524634
		10,82 x 1,78 -90 Sh -FKM (2 pcs)	
	25 (6-part set)	29,82 x 2,62 -90Sh -NBR (4 pcs)	3524659
		20,24 x 2,62 -90Sh -NBR (2 pcs)	
		29,82 x 2,62 -90Sh -FKM (4 pcs)	3524660
		20,24 x 2,62 -90Sh -FKM (2 pcs)	
32 (6-part set)	37,59 x 3,53 -90Sh -NBR (4 pcs)	3524685	
	20,24 x 2,62 -90Sh -NBR (2 pcs)		
	37,59 x 3,53 -90Sh -FKM (4 pcs)	3524690	
	20,24 x 2,62 -90Sh -FKM (2 pcs)		
Mounting screws	10	M6x35 DIN EN ISO 4762 -10.9 (4 pcs)	3524691
	16	M10x60 (4 pcs)	3524695
		M6x50 (2 pcs)	
	25	M12x60 12.9 (6 pcs)	3524698
	32	M20x70 12.9 (6 pcs)	3524700
Plugs	10	M5x6 -45H	4452918
	16	M6x8 -45H	3524750
	25		
	32		

## WSE – Directional poppet valves, solenoid-operated

	Nominal size	Designation	Part no.
Seal kits (4-part set)	6	9,25 x 1,78 -80Sh -FKM	3120269
Mounting screws (4 pcs)	6	M5 x 50 DIN EN ISO 4762 -10.9	4312231
Solenoid coils	6	COIL 24DG -50-2345 -S	4244171
		COIL 24DN -50-2345 -S	4244172
		COIL 24DO -50-2345 -S	4250885
		COIL 24DU -50-2345 -S	4250892
Seal kit solenoid coils	6	Nut open, O-ring	4317299
		Nut with cap, O-ring	4317302
Connector	6	Z4 standard, 2-pole without PE	394287
		Z4L incl. LED	394285
Orifice insert	6	Orifice for WSE 6 H01	4371106
Check valve	6	RV for WSE 6 H01	4371006

## ZW – Valves in sandwich plate design

	Nominal size	Designation	Part no.
Seal kits	6 (4-part set)	9,25 x 1,78 -80 Sh -NBR	3492432
		9,25 x 1,78 -80 Sh -FKM	3120269
	10 (5-part set)	12,42 x 1,78 -80 Sh -NBR	3492434
		12,42 x 1,78 -80 Sh -FKM	3492433
	16 (6-part set)	22,22 x 2,62 -90 Sh -NBR (4 pcs)	3524553
		10,82 x 1,78 -90 Sh -NBR (2 pcs)	
		22,22 x 2,62 -90 Sh -FKM (4 pcs)	3524634
		10,82 x 1,78 -90 Sh -FKM (2 pcs)	
	25 (6-part set)	29,82 x 2,62 -90 Sh -NBR (4 pcs)	3524659
		20,24 x 2,62 -90 Sh -NBR (2 pcs)	
		29,82 x 2,62 -90 Sh -FKM (4 pcs)	3524660
		20,24 x 2,62 -90 Sh -FKM (2 pcs)	

## VP – Plate mounted valves

	Valve type	Designation	Part no.
Seal kits	VP-P2SRR 6 VP-2SR 6 VP-P2SRE 6	14 x 2 -NBR (2 pcs) 14 x 2 -FKM (2 pcs)	3526072 3526085
	VP-RP6 VP-DRP 6 VP-PDB 6 VP-PDRP 6	9,25 x 1,78 -NBR (4 pcs) 9,25 x 1,78 FKM (4 pcs)	3526088 3526091
	VP-DBP 10 VP-PDBP 10	17,86 x 2,62 -NBR (2 pcs) 9,19 x 2,62 -NBR (1 pcs) 17,86 x 2,62 -FKM (2 pcs) 9,19 x 2,62 -FKM (1 pcs)	3526094 3526098
	VP-DRP 10 VP-RP 10	17,13 x 2,62 -NBR (2 pcs) 5,28 x 1,78 -NBR (2 pcs) 17,13 x 2,62 -FKM (2 pcs) 5,28 x 1,78 -FKM (2 pcs)	3526099 3526101
	VP-2SR 10	15 x 2,5 -NBR (2 pcs) 15 x 2,5 -FKM (2 pcs)	3526102 3526103
	VP-2SR 6	M5 x 75 (4 pcs)	3526118
	VP-RP 6 VP-DRP 6 VP-PDRP 6	M5x50 (4 pcs)	3526118
	VP-DBP 10 VP-PDBP 10	M12 x 40 (4 pcs)	3526122
	VP-DRP 10 VP-RP 10	M10 x 70 (4 pcs)	3526126
	VP-PDB 6	M5x30 (4 pcs)	3526129
	VP-P2SRE 6	M5x70 (4 pcs)	3526131
	VP-P2SRR 6	M5x65 (4 pcs)	3526133
	VP-2SR 10	M8x60 (4 pcs)	3526134
Solenoid coils		On request	
Connector		Z4 standard 2-pole without PE ZW4 incl. rectifier	394287 394293

## P4WE – Proportional directional valves

	Nominal size	Designation	Part no.
Seal kits	6 (4-part set)	9,25 x 1,78 -90 Sh -FKM	3524413
		9,25 x 1,78 -90 Sh -NBR	3524355
	10 (4-part set)	12,45 x 1,78 90 Sh -FKM	3524439
		12,45 x 1,78 90 Sh -NBR	3524438
Mounting screws (4 pcs)	6 series A01	ISO 4762 M5x50	4312231
	6 series D01	ISO4762 M5x30	3524313
	10	ISO 4762 M6x40	3524314
Solenoid coils	6 series A01	COIL 12PG- 2.7 -50-2345 -S	4356846
		COIL 24PG- 5 -50-2345 -S	4356848
		COIL 12PN- 2.7 -50-2345 -S	4356849
		COIL 24PN- 5 -50-2345 -S	4356851
	6 series D01	Coil für P4WE / P4WEE 12Volt	3549725
		Coil für P4WE / P4WEE 24Volt	3549737
	10	Coil für P4WE / P4WEE 12Volt	3549738
		Coil für P4WE / P4WEE 24Volt	3549739
Seal kit solenoid coils	6 series A01	Nut open, O-ring	4317299
Connector	P4WE/ P4WER 6/ 10	Z4 standard, 2-pole ZW4 incl. rectifier	394287 394293
	Control module EHCD	P4WE/ P4WER 6/ 10	AM005XXXU
Main connector for OBE		6+PE EN175201 Part 804	6080324
Electronic for OBE		Lin-Bus Interface	3648934

## L-CEE – 2-way cartridge valves

	Nominal size	Designation	Part no.
Seal kits	16	L-CEE 16 H -FKM	4055843
		L-CEE 16 H -NBR	4055840
		L-CEE 16 H X -FKM	4055848
		L-CEE 16 H X -NBR	4055846
	25	L-CEE 25 H -FKM	4055867
		L-CEE 25 H -NBR	4055851
		L-CEE 25 H X -FKM	4055869
		L-CEE 25 H X -NBR	4055868
	32	L-CEE 32 H -FKM	4055872
		L-CEE 32 H -NBR	4055870
		L-CEE 32 H X -FKM	4055895
		L-CEE 32 H X -NBR	4055874
	40	L-CEE 40 H -FKM	4055898
		L-CEE 40 H -NBR	4055896
		L-CEE 40 H X -FKM	4055900
		L-CEE 40 H X -NBR	4055899
	50	L-CEE 50 H -FKM	4055902
		L-CEE 50 H -NBR	4055901
		L-CEE 50 H X -FKM	4055915
		L-CEE 50 H X -NBR	4055903
	63	L-CEE 63 H -FKM	4055917
		L-CEE 63 H -NBR	4055916
		L-CEE 63 H X -FKM	4055920
		L-CEE 63 H X -NBR	4055918
	80	L-CEE 80 H -FKM	4486893
		L-CEE 80 H -NBR	4486928
		L-CEE 80 H X -FKM	4486929
		L-CEE 80 H X -NBR	4486934

Nominal size	Spring spare part depending on NG and poppet design with pressure specification [bar]					Part no. spring
	A	B	C	E	F	
16	0,5	0,5	0,5	0,3	0,3	4161593
	1,0	1,0	1,0	0,7	0,7	4161615
	2,0	1,9	1,9	1,4	1,4	4161616
	4,0	3,8	3,8	2,7	2,7	4161617
25	0,5	0,5	0,5	0,4	0,4	4161451
	1,0	1,0	1,0	0,7	0,7	4161452
	2,0	2,1	2,1	2,5	2,5	4161453
	4,0	4,2	4,2	3,0	3,0	4161454
32	0,5	0,5	0,5	0,4	0,4	4161624
	1,0	1,0	1,0	0,7	0,7	4161625
	2,0	2,0	2,0	1,4	1,4	4161626
	4,0	4,0	4,0	2,8	2,8	4161627
40	0,4	0,5	0,5	0,4	0,4	4161633
	0,7	1,0	1,0	0,7	0,7	4161634
	1,4	2,0	2,0	1,4	1,4	4161634 + 4161675
	2,9	4,0	4,0	2,9	2,9	4161676 + 4161675
50	0,4	0,5	0,5	0,4	0,4	4161585
	0,7	1,0	1,0	0,7	0,7	4161586
	1,4	2,0	2,0	1,4	1,4	4161587
	2,9	4,0	4,0	2,9	2,9	4161587 + 4161588
63	0,4	0,5	0,5	0,4	0,4	4161618
	0,7	1,0	1,0	0,7	0,7	4161619
	1,5	2,0	2,0	1,4	1,7	4161620
	2,9	4,0	4,0	2,9	2,9	4161620 + 4161623
80	0,4	0,5	0,5	0,4	0,4	4161629
	0,7	1,0	1,0	0,7	0,7	4161630
	1,4	2,0	2,0	1,4	1,4	4161631
	2,8	4,0	4,0	2,8	2,8	4161631 + 4161632

## LD-CCE – Cover for 2-way cartridge valves

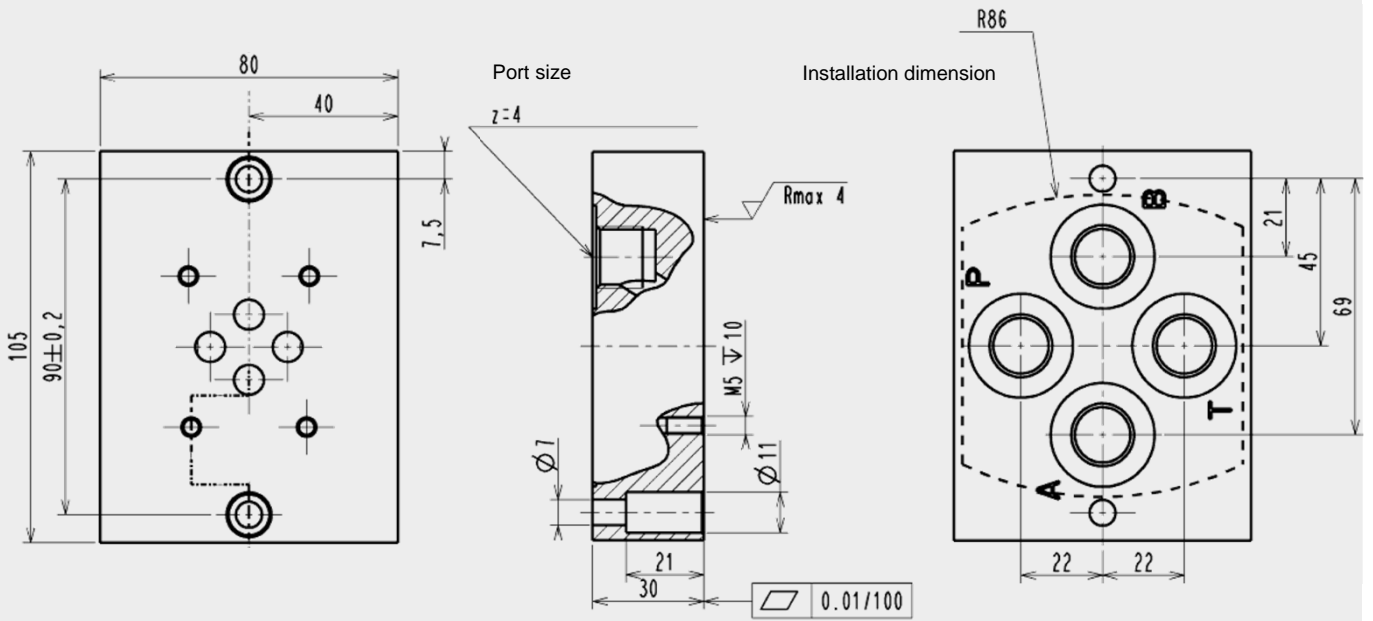
	Nominal size	Designation	Part no.
Seal kits	16	LD-FS 16 H 6/N	4167630
	25	LD-FS 25 H 6/N	4167631
	32	LD-FS 32 H 6/N	4167632
	40	LD-FS 40 H 6/N	4167633
	50	LD-FS 50 H 6/N	4167634
	63	LD-FS 63 H 6/N	4167655
	80	LD-FS 80 H 6/N	4167657
Mounting screws	16	M 8 x 35	3524859
	25	M 12 x 40	3526065
	32	M 16 x 50	3526067
	40	M 20 x 70	3526069
	50		
	63	M 30 x 90	3526070
	80	M 24 x 90	4514532
Orifice		M 5 x 0,8	6071916
		M 6 x 0,8	6071917
		M 8 x 0,8	6071918
		M 10 x 0,8	6071919
		M 5 x 1,5	6071920
		M 6 x 1,5	6071921
		M 6 x 1,5	6071922
		M 10 x 1,5	6071923

## MODEL CODE PLATE TYPES

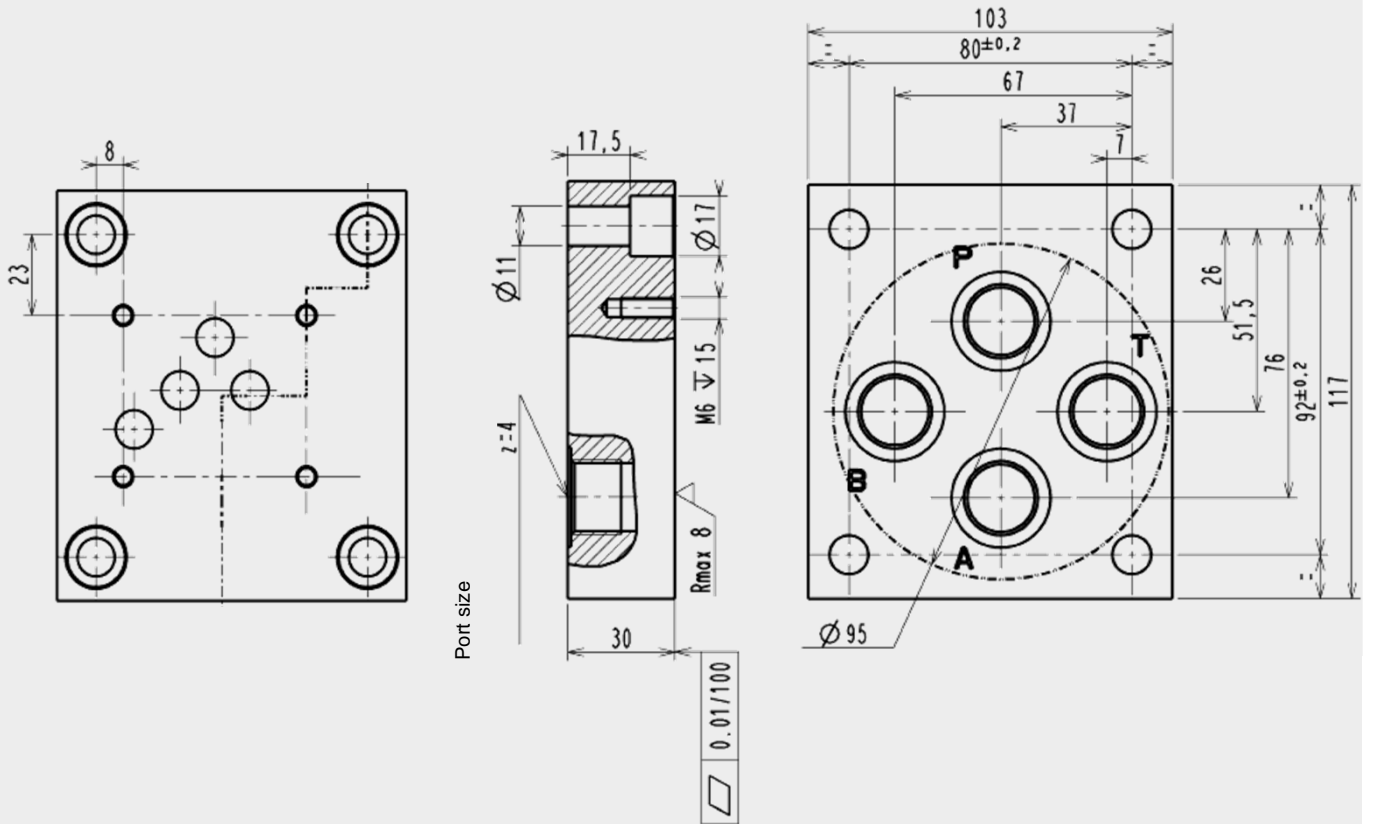
	AP - 6 - G3/8 - S01 / 1 / V
<b>Type</b> AP = Subplate UP = Crossover plate SP = Cover plate	AP
<b>Nominal size (NG)</b> 6, 10	6
<b>Ports or function</b> Not specified = cover plate G3/8 = NG6 G1/2 = NG10 PATB = connection PA/TB PBTA = connection PB/TA	G3/8
<b>Series</b> S01 = phosphate-plated S02 = zinc-plated	S01
<b>Interface</b> 1 = NG6: DIN 24340 form A6 ISO 4401 NG10: DIN 24340 form A10 ISO 4401	1
<b>Sealing material</b> V = FKM N = NBR	V

# SUBPLATES

## NG6

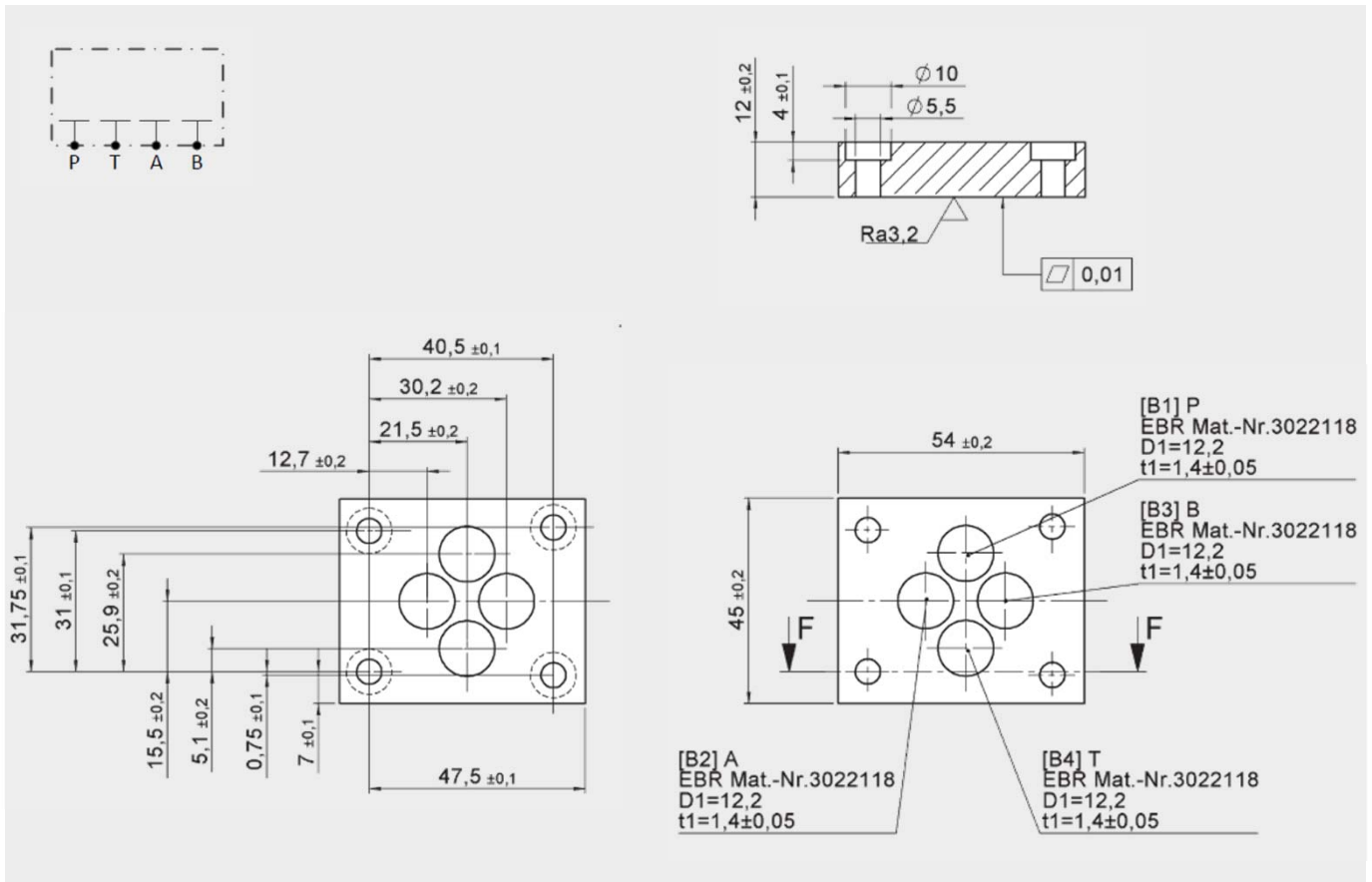


## NG10



	Interface	Designation	Part no.
Subplate	ISO 4401-03-02-0-05	AP-6-G3/8-S01/1	3565254
	ISO 4401-05-04-0-05	AP-10-G1/2-S01/1	3565280

# COVER PLATES

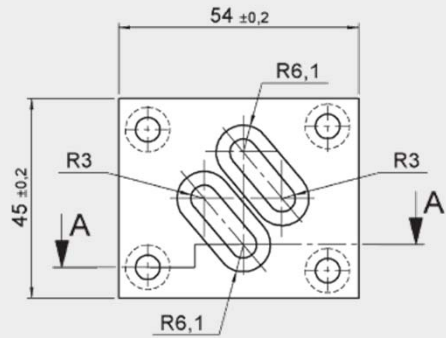
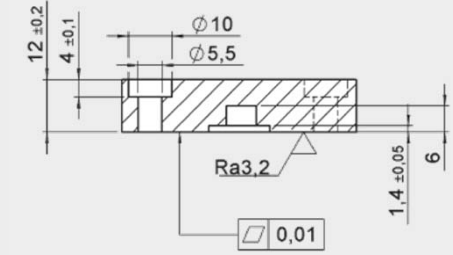
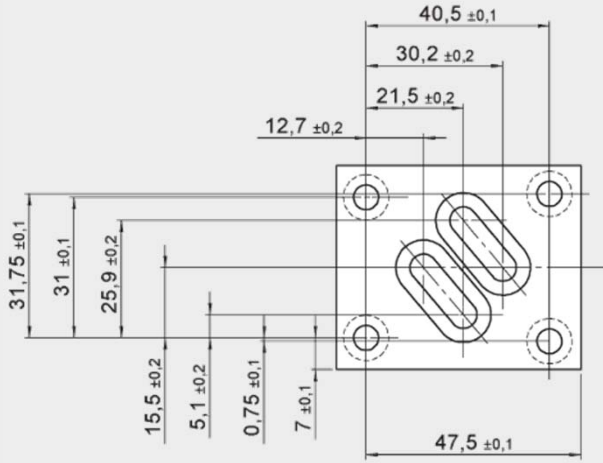
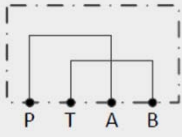


	Interface	Designation	Part no.
Cover plates	ISO 4401-03-02-0-05	SP-6-S01/1/N	3611576
		SP-6-S01/1/V	3611580
		SP-6-S02/1/N	3632323
		SP-6-S02/1/V	3632322
	ISO 4401-05-04-0-05	SP-10-S01/1/N	3738287
		SP-10-S01/1/V	3782210
		SP-10-S02/1/N	4136064
		SP-10-S02/1/V	4136105

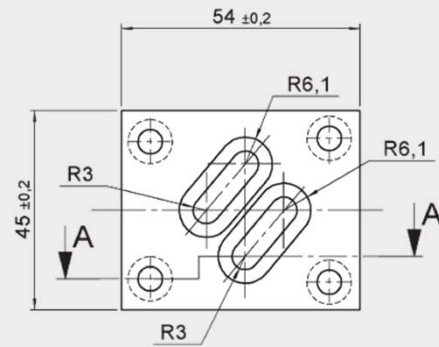
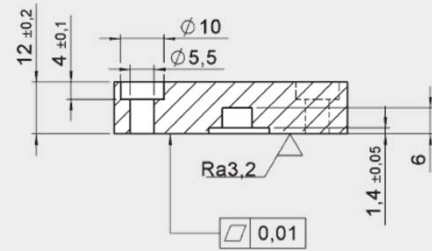
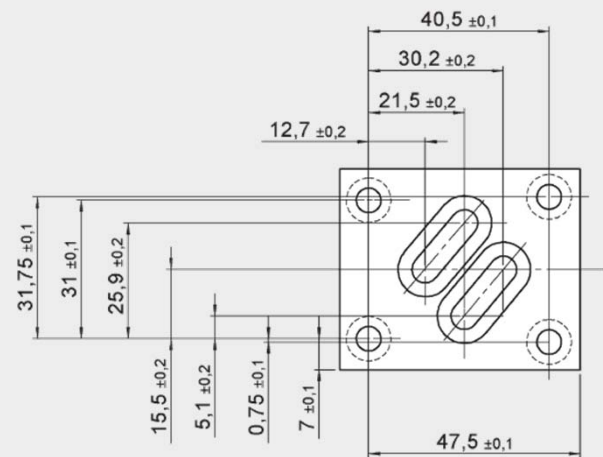
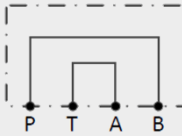


# CROSSOVER PLATES

## PATB



## PBTA



	Interface	Designation	Part no.
Crossover plates	ISO 4401-03-02-0-05	UP-6-PATB-S01/1/N	3581660
		UP-6-PATB-S01/1/V	3581661
		UP-6-PATB-S02/1/V	3648046
		UP-6-PBTA-S01/1/N	3581662
		UP-6-PBTA-S01/1/V	3581663

**Note**

The information in this brochure relates to the operating conditions and applications described. For applications not described, please contact the relevant technical department. All technical details are subject to change without notice.

**HYDAC Fluidtechnik GmbH**  
Justus-von-Liebig-Str.  
**D-66280 Sulzbach/Saar**  
Tel: 0 68 97 /509-01  
Fax: 0 68 97 /509-598  
E-Mail: [valves@hydac.com](mailto:valves@hydac.com)